

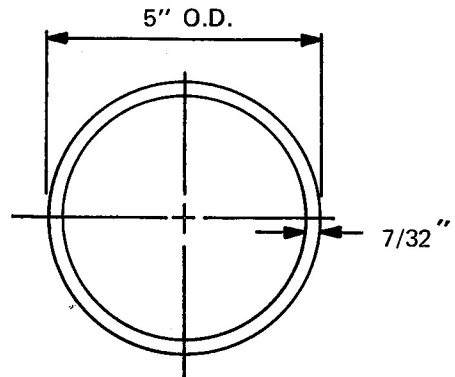
**SPECIFICATIONS**

Rail elements shall conform to A.S.T.M. B221 alloy 6061-T6 or alloy 6351-T5 (minimum elongation 10%).

Dimensional tolerances not shown or implied are intended to be those consistent with the proper functioning of the part, including its appearance, and accepted manufacturing practices.

**INTENDED USE**

This tubular section is used as a rail element in bridge railing designs BR1 (Aluminum) Type A, BR2A (Aluminum) Type A, BR2 (Aluminum) Type A, and BR3A (Aluminum) Type A.



**SECTIONAL PROPERTIES**

Area	3.286 sq. in.
Weight	3.87 lb/ft
Moment of Inertia	9.4089 in. <sup>4</sup>
Section Modulus	3.7636 in. <sup>3</sup>

**5" O.D. TUBULAR RAIL**

HM-TF-13

RE-39-73

STANDARD